

SPECIFICATIONS FOR TRANSFORMER

Item No. 45000

Model UEE0050-016015-04M

Structure

Dimension : As per attached drawing

Indication: As per attached drawing

Electrical property

Rating

phase Single phase, Double winding

frequency 50 Hz/ 60 Hz

primary voltage 200/208/220/230/240 V

secondary voltage 100 V

secondary current 5 A

capacity 500 VA

Insulation resistance between:

Pri-Sec not less than 100 MΩ, Pri-Core/Shield not less than 100 MΩ

Sec-Core not less than 100 MΩ, Sec-Shield not less than 100 MΩ

Electric strength test (1 min):

No flashover or breakdown; test voltage:

Pri-Sec 3640 V, Pri-Core/Shield 2500 V

Sec-Core 2500 V, Sec-Shield 2500 V

Interlayer voltage resistance:

two(2) times rated input voltage 400 Hz 120 seconds

Voltage deviation:

Allowance between each voltage and rated voltage at the rated operating condition must be within \pm 5 %

Temperature rise:

Temperature rise for each winding and core must be less than 100 °C when it is operated continuously at the rated operating condition and when it becomes fixed temperature.

Voltage regulation:

It should be less than 5 % when the rated output voltage is measured at the rated operating condition.

Ambient temperature: -20 °C~40 °C

Insulation: Class 155(F) type insulation

Others: Electrostatic shield (attached to core) is connected to earthing terminal.

Short-circuit and overload protection :

IEC-Transformers shall be protected in accordance with IEC60204-1 7.2.7:2016 (as per attached drawing.)

UL/CSA-Transformers shall be protected in accordance with standards applied to the end-use product.

Applicable standards:

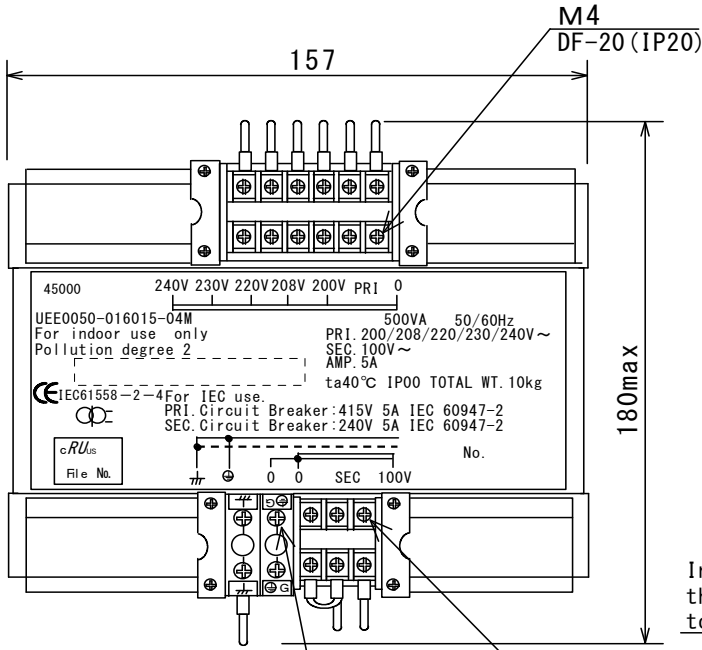
UL506 and C22. 2No.66. 1-06, No.66. 2-06 (FileNo.E210998, E209256).

IEC61558 (Construction and electric strength. FileNo. E211962)-Dry type transformers for use in appliances, Class I, IP00, Non short-circuit proof.

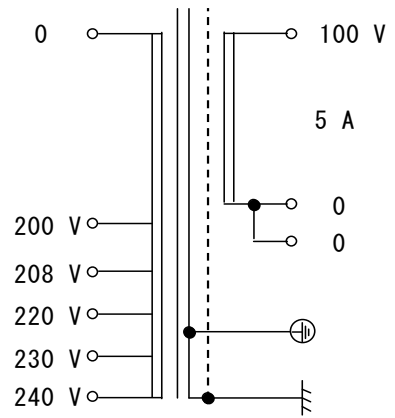
Remarks: The rated operating condition means the condition that the rated input voltage is added to primary winding, and non-inductive load is connected with all the secondary windings, and rated output current is on.

MARK	OLD DWG No.	CAUSE	DATE	REMARKS
				No. 22806
				017 001 160
				ITEM No.
				45000
DRAWING TYPE	SCALE	UNIT	ALLOWANCE	ISSUE DATE
TRIGONOMETRY	/	/	/	8/23/2011
				DWG No.
				A45000 1/2
TOYOZUMI DENGENKIKI CO.,LTD.				DRAW
				CHECK
				APPRV
				Y.K
				Y.A
				H.K

OUTSIDE DRAWING



CIRCUIT DIAGRAM



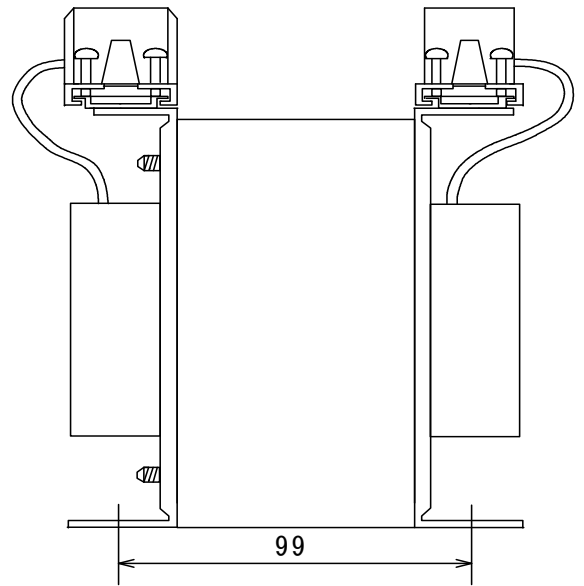
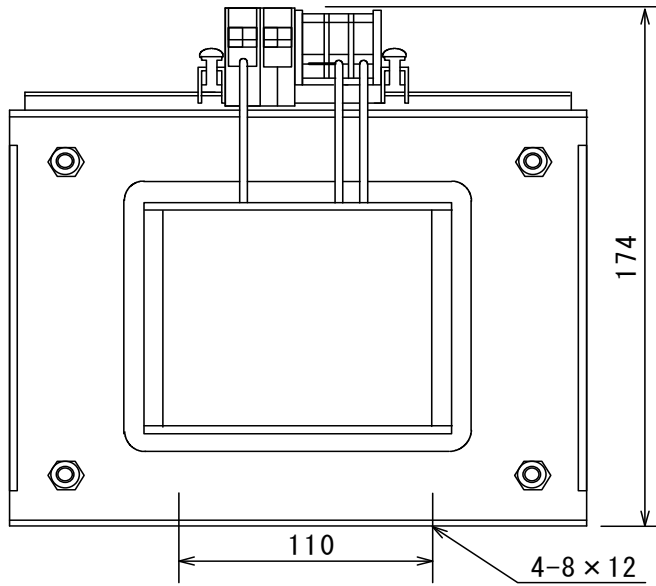
In order to comply with IEC STANDARDS,
the external protectors shall be connected
to the transformer (It excludes UL, GSA):

PRIMARY : 5 A IEC 60947-2
(Instantaneous trip $\geq 20 \times I_n$)
SECONDARY : 5 A IEC 60947-2

M4 M4

MBT-30AE (IP20) DF-20 (IP20)

Terminal Blocks : MIBU DENKI INDUSTRIAL CO., LTD.



MASS: 10 kg

MARK	OLD DWG No.	CAUSE	DATE	REMARKS
				No. 22806
				017 001 160
				ITEM No.
				45000
DRAWING TYPE	SCALE	UNIT	ALLOWANCE	ISSUE DATE
TRIGONOMETRY		mm	±2	8/23/2011
				DWG No.
				A45000 2/2

TOYOZUMI DENGINKIKI CO.,LTD.

DRAW	CHECK	APPRV
Y.K	Y.A	H.K