

SPECIFICATIONS FOR TRANSFORMER

Item No. 42957

Model UEE0200-016015-08M

Structure

Dimension : As per attached drawing

Indication: As per attached drawing

Electrical property

Rating

phase	Single phase, Double winding
frequency	50 Hz/ 60 Hz
primary voltage	200/208/220/230/240 V
secondary voltage	100 V
secondary current	20 A
capacity	2 kVA

Insulation resistance between:

Pri-Sec not less than 100 MΩ, Pri-Core/Shield not less than 100 MΩ

Sec-Core not less than 100 MΩ, Sec-Shield not less than 100 MΩ

Electric strength test (1 min):

No flashover or breakdown; test voltage:

Pri-Sec 3640 V, Pri-Core/Shield 2500 V

Sec-Core 2500 V, Sec-Shield 2500 V

Interlayer voltage resistance:

two(2) times rated input voltage 400 Hz 120 seconds

Voltage deviation:

Allowance between each voltage and rated voltage at the rated operating condition must be within $\pm 5\%$

Temperature rise:

Temperature rise for each winding and core must be less than 100 °C when it is operated continuously at the rated operating condition and when it becomes fixed temperature.

Voltage regulation:

It should be less than 5 % when the rated output voltage is measured at the rated operating condition.

Ambient temperature: -20 °C ~ 40 °C

Insulation: Class 155(F) type insulation

Others: Electrostatic shield (attached to core) is connected to earthing terminal.

Short-circuit and overload protection :

IEC-Transformers shall be protected in accordance with IEC60204-1 7.2.7:2016 (as per attached drawing.)

UL/CSA-Transformers shall be protected in accordance with standards applied to the end-use product.

Applicable standards:

UL506 and C22. 2No.66. 1-06, No.66. 2-06 (FileNo.E210998, E209256).

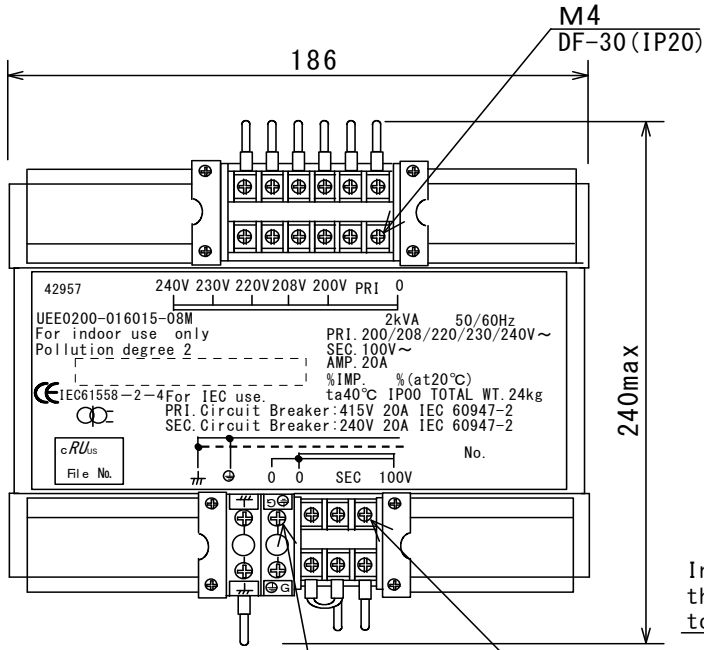
IEC61558 (Construction and electric strength. FileNo. E211962)-Dry type transformers for use in appliances, Class I, IP00, Non short-circuit proof.

Remarks: The rated operating condition means the condition that the rated input voltage is added to primary winding, and non-inductive load is connected with all the secondary windings, and rated output current is on.



MARK	OLD DWG No.	CAUSE	DATE	REMARKS
				NO68752 T-9960A 012 252 160
				ITEM No.
				42957
	A42957	For a change	8/4/2014	
DRAWING TYPE	SCALE	UNIT	ALLOWANCE	ISSUE DATE
TRIGONOMETRY	/	/	/	12/18/2009
				DWG No.
				A42957-1 1/2
TOYOZUMI DENGENKIKI CO.,LTD.				DRAW
				CHECK
				APPRV
				Y.K
				Y.A
				H.K

OUTSIDE DRAWING



42957 240V 230V 220V 208V 200V PRI 0

UEE0200-016015-08M 2kVA 50/60Hz
For indoor use only PRI. 200/208/220/230/240V~
Pollution degree 2 SEC. 100V~
AMP. 20A

IEC61558-2-4 For IEC use. %IMP (at 20°C)
ta 40°C IP00 TOTAL WT. 24kg

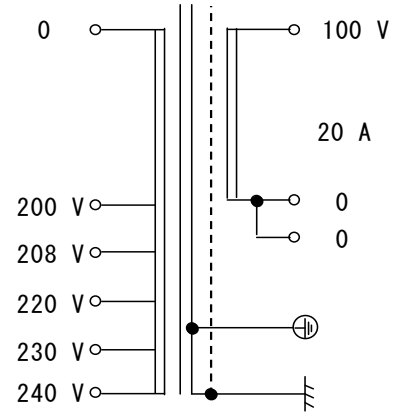
PRI. Circuit Breaker: 415V 20A IEC 60947-2
SEC. Circuit Breaker: 240V 20A IEC 60947-2

cRU's
File No.

No.

0 0 SEC 100V

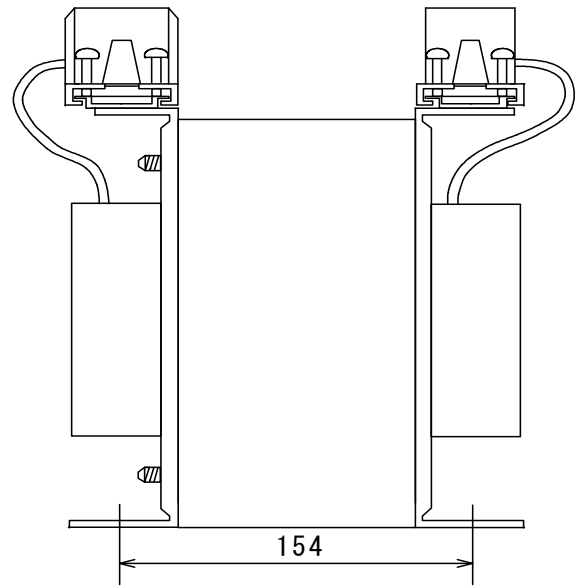
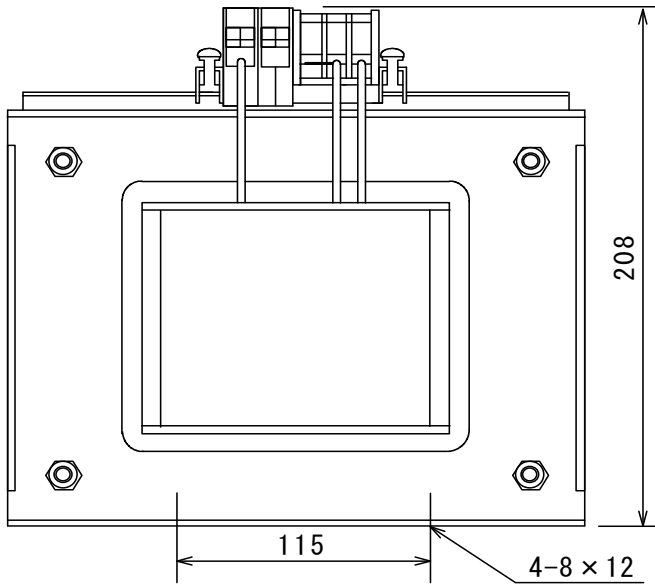
CIRCUIT DIAGRAM



In order to comply with IEC STANDARDS,
the external protectors shall be connected
to the transformer (It excludes UL, GSA):

PRIMARY : 20 A IEC 60947-2
(Instantaneous trip $\geq 20 \times I_n$)
SECONDARY : 20 A IEC 60947-2

Terminal Blocks : MIBU DENKI INDUSTRIAL CO., LTD.



MASS: 24 kg

MARK	OLD DWG No.	CAUSE	DATE	REMARKS
				NO68752 T-9960A
				012 252 160
				ITEM No.
				42957
\triangle	A42957	For a change	8/4/2014	
DRAWING TYPE	SCALE	UNIT	ALLOWANCE	ISSUE DATE
TRIGONOMETRY		mm	± 2	12/18/2009
				DWG No.
				A42957-1 2/2

TOYOZUMI DENGENKIKI CO., LTD.

DRAW	CHECK	APPRV
Y.K	Y.A	H.K