

SPECIFICATIONS FOR TRANSFORMER

Item No. 42087

Model UEE0030-016015-03M

Structure

Dimension : As per attached drawing

Indication: As per attached drawing

Electrical property

Rating

phase	<u>Single</u> phase, <u>Double</u> winding
frequency	50 Hz/ 60 Hz
primary voltage	200/208/220/230/240 V
secondary voltage	100 V
secondary current	3 A
capacity	300 VA

Insulation resistance between:

Pri-Sec not less than 100 MΩ, Pri-Core/Shield not less than 100 MΩ

Sec-Core not less than 100 MΩ, Sec-Shield not less than 100 MΩ

Electric strength test (1 min):

No flashover or breakdown; test voltage:

Pri-Sec 3640 V, Pri-Core/Shield 2500 V

Sec-Core 2500 V, Sec-Shield 2500 V

Interlayer voltage resistance:

two(2) times rated input voltage 400 Hz 120 seconds

Voltage deviation:

Allowance between each voltage and rated voltage at the rated operating condition must be within $\pm 5\%$

Temperature rise:

Temperature rise for each winding and core must be less than 100 °C when it is operated continuously at the rated operating condition and when it becomes fixed temperature.

Voltage regulation:

It should be less than 10 % when the rated output voltage is measured at the rated operating condition.

Ambient temperature: -20 °C ~ 40 °C

Insulation: Class 155(F) type insulation

Others: Electrostatic shield (attached to core) is connected to earthing terminal.

Short-circuit and overload protection :

IEC-Transformers shall be protected in accordance with IEC60204-1 7.2.7:2016 (as per attached drawing.)

UL/CSA-Transformers shall be protected in accordance with standards applied to the end-use product.

Applicable standards:

UL506 and C22. 2No.66. 1-06, No.66. 2-06 (FileNo.E210998, E209256).

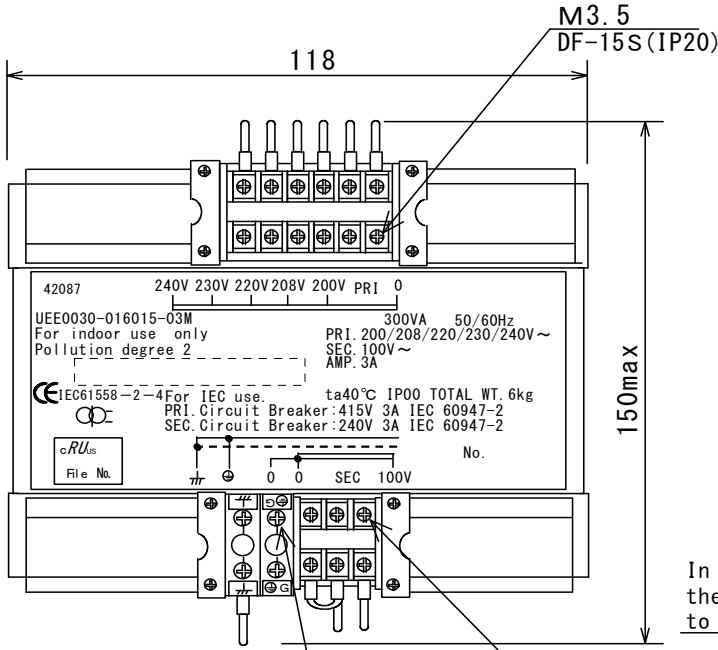
IEC61558 (Construction and electric strength. FileNo. E211962)-Dry type transformers for use in appliances, Class I, IP00, Non short-circuit proof.

Remarks: The rated operating condition means the condition that the rated input voltage is added to primary winding, and non-inductive load is connected with all the secondary windings, and rated output current is on.



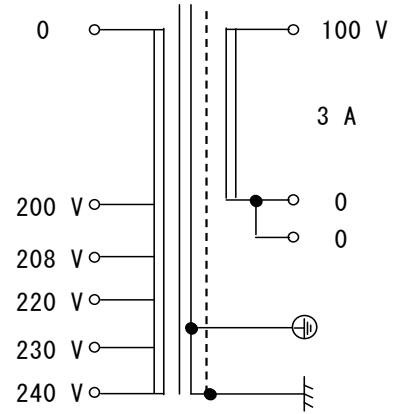
MARK	OLD DWG No.	CAUSE	DATE	REMARKS
				NO68751 T-0652 010 001 160
				ITEM No. 42087
	A42087	For a change	8/4/2014	
DRAWING TYPE	SCALE	UNIT	ALLOWANCE	ISSUE DATE
TRIGONOMETRY				3/23/2009
				DWG No. A42087-1 1/2
TOYOZUMI DENGENKIKI CO.,LTD.				DRAW
				CHECK
				APPRV
				Y.K
				Y.A
				H.K

OUTSIDE DRAWING



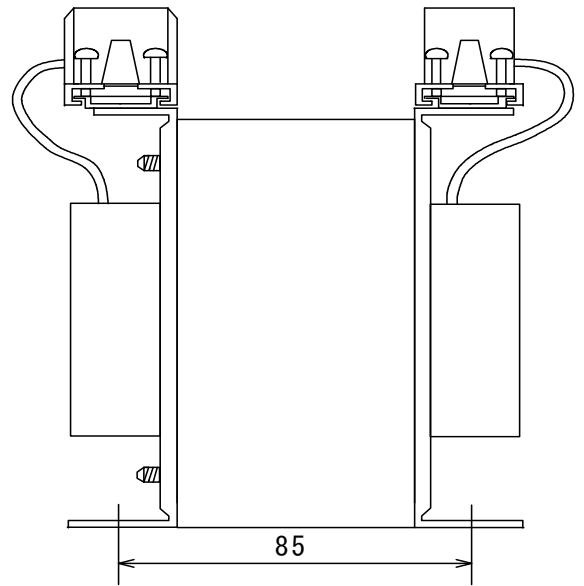
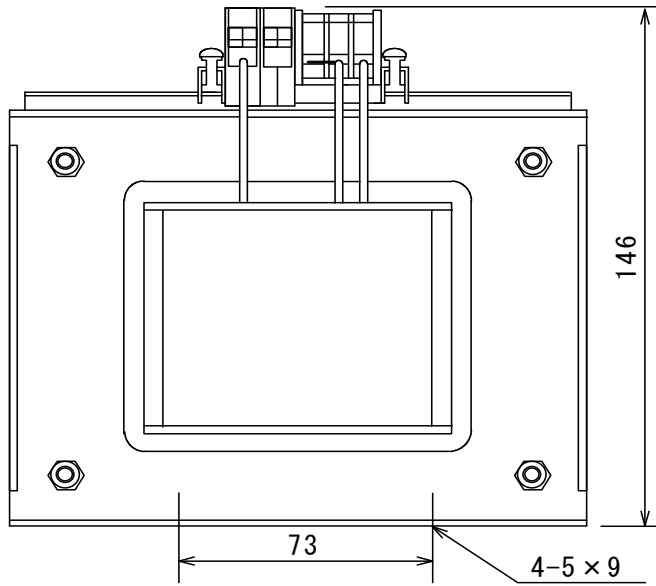
Terminal Blocks : MIBU DENKI INDUSTRIAL CO., LTD.

CIRCUIT DIAGRAM



In order to comply with IEC STANDARDS,
the external protectors shall be connected
to the transformer (It excludes UL, GSA):

PRIMARY : 3 A IEC 60947-2
(Instantaneous trip $\geq 20 \times I_n$)
SECONDARY : 3 A IEC 60947-2



MASS: 6 kg

MARK	OLD DWG No.	CAUSE	DATE	REMARKS
				NO68751 T-0652
				010 001 160
				ITEM No.
				42087
	A42087	For a change	8/4/2014	DWG No.
DRAWING TYPE	SCALE	UNIT	ALLOWANCE	ISSUE DATE
TRIGONOMETRY		mm	± 2	3/23/2009
				A42087-1 2/2

TOYOZUMI DENGENKIKI CO.,LTD.

DRAW	CHECK	APPRV
Y.K	Y.A	H.K